

Stainless Steel ULTRAVIOLETS



PURO produces a range of standard systems that has been tested during ten years of actual use.

This line of products uses special quartz tubes and low pressure lamps to cover a wide range of flow rates, both for domestic and industrial/municipality water disinfection solutions.

Puro can satisfy all water disinfection needs using low pressure lamps or low pressure amalgam lamps within pressurized chamber systems.

Stainless Steel ULTRAVIOLETS

Ultraviolet system mod. **“Puro-Tap”**

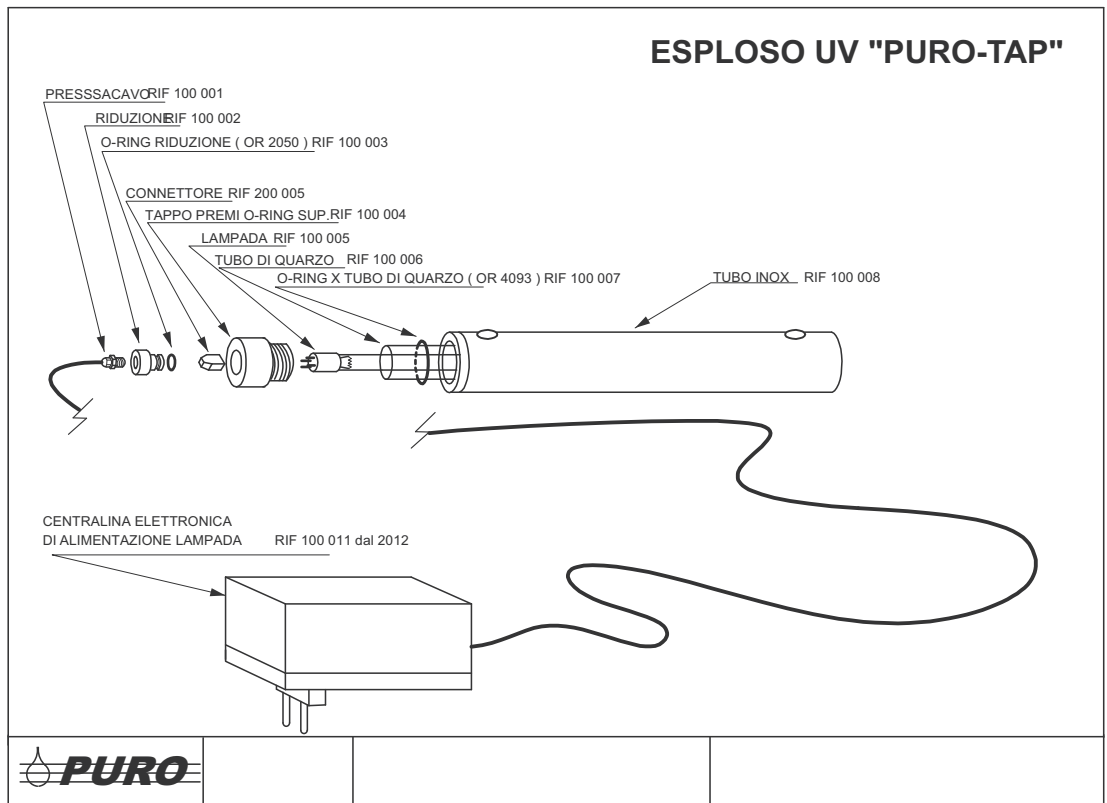
Flow rate= 300 Lt/h

Feeding: 12Vac

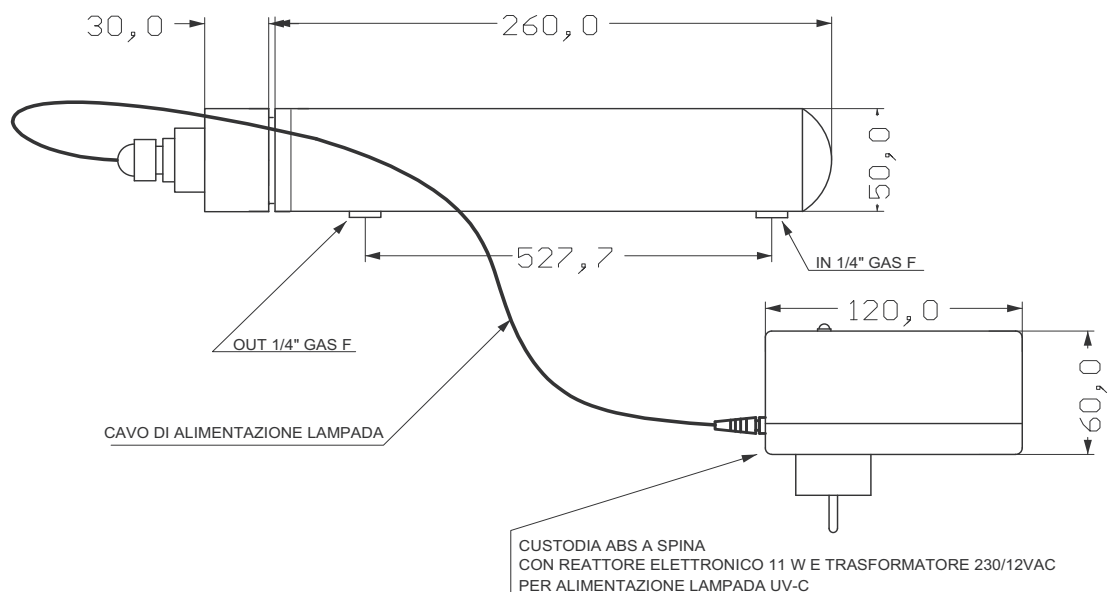
IN/OUT: 1/4” F



Stainless Steel ULTRAVIOLETS



ULTRAVIOLET MOD. "PURO-TAP"



Stainless Steel ULTRAVIOLETS

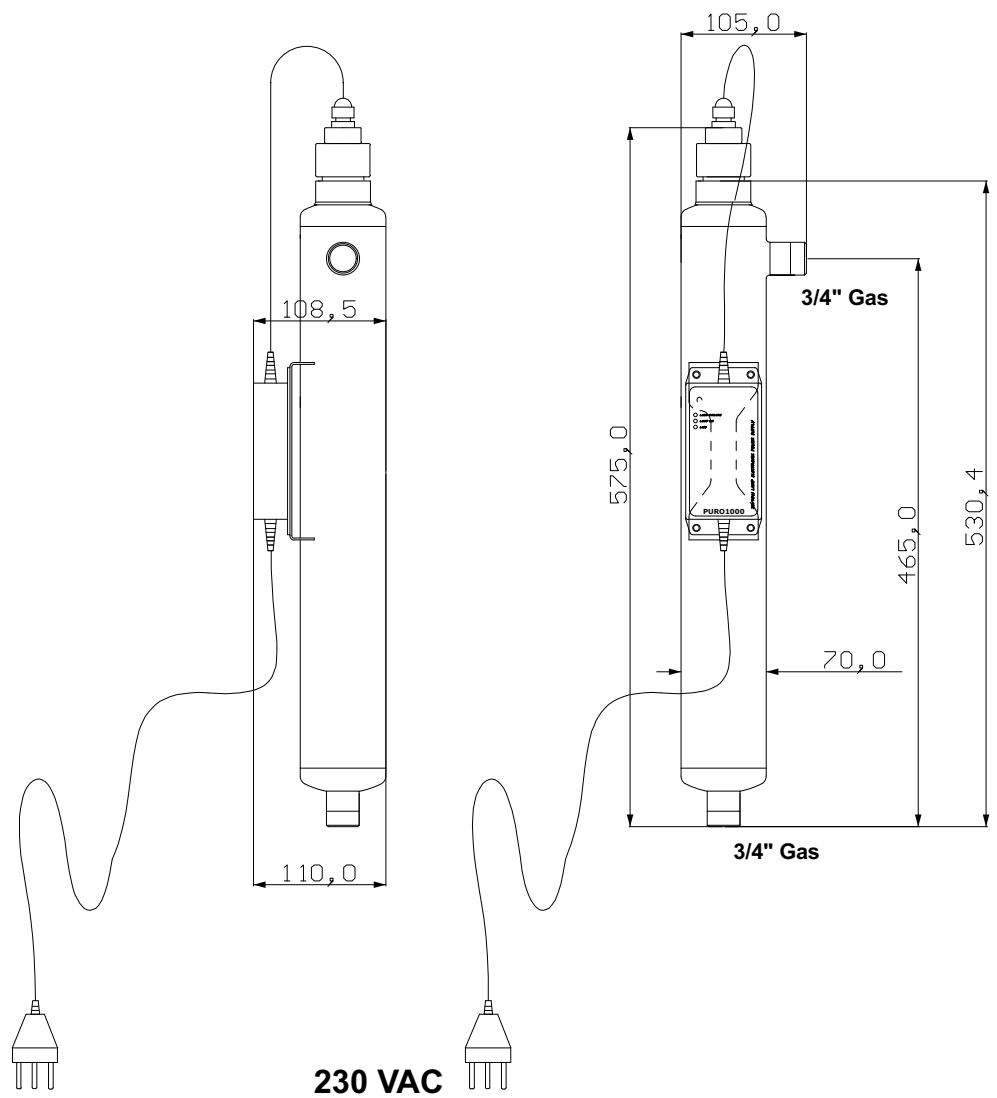
Ultraviolet system mod. **Puro-1000**

Flow rate= 1000 Ltlh
INPUT: 230VAC
IN/OUT: 3/4" BSP M
Lamp power: 20W



Stainless Steel ULTRAVIOLETS

PURO1000



Stainless Steel ULTRAVIOLETS

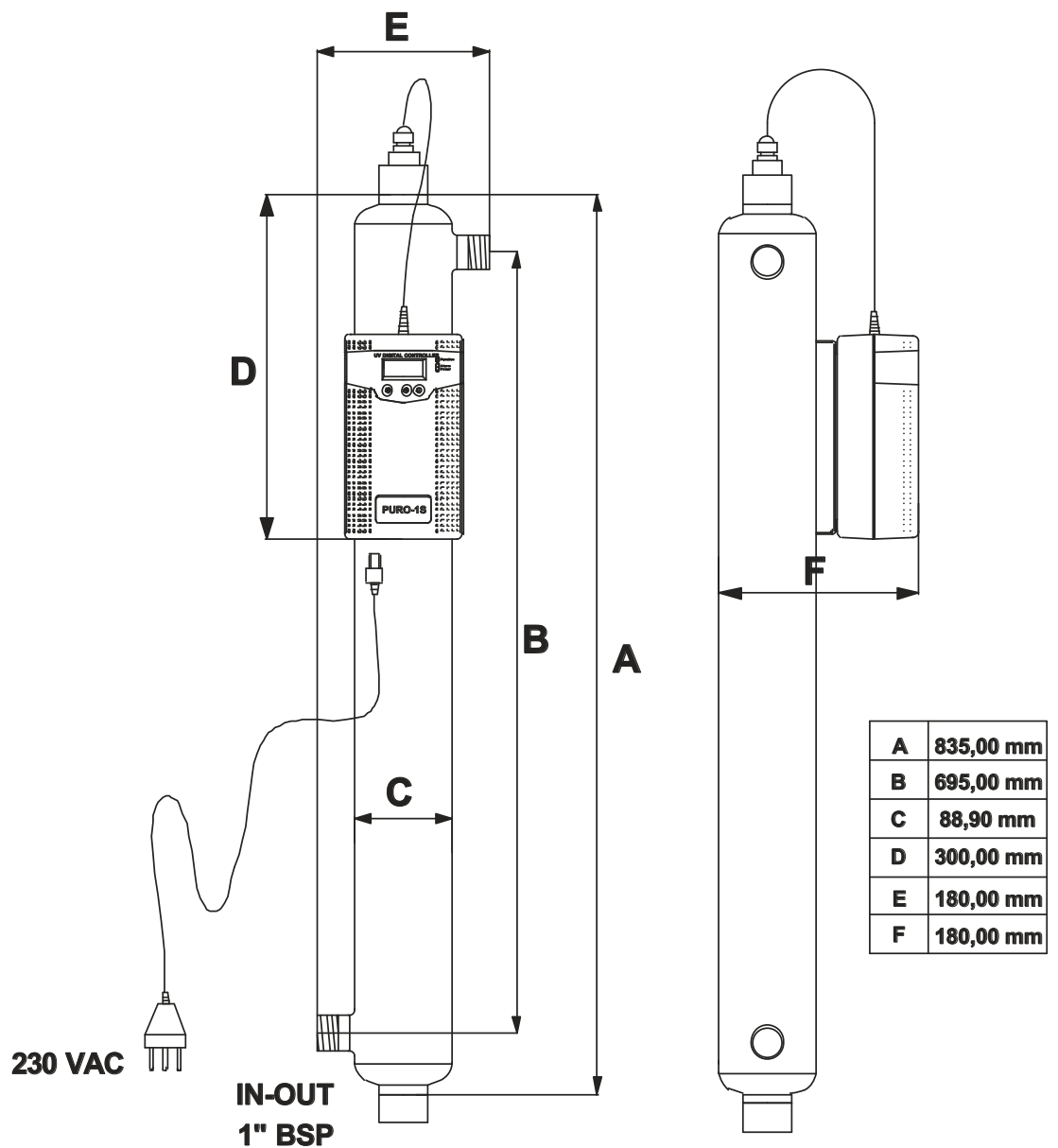
Ultraviolet system mod. **Puro-1S**

Flow rate= 2500 Ltlh
INPUT: 230VAC
IN/OUT: 1" BSP M
Lamp power: 40W

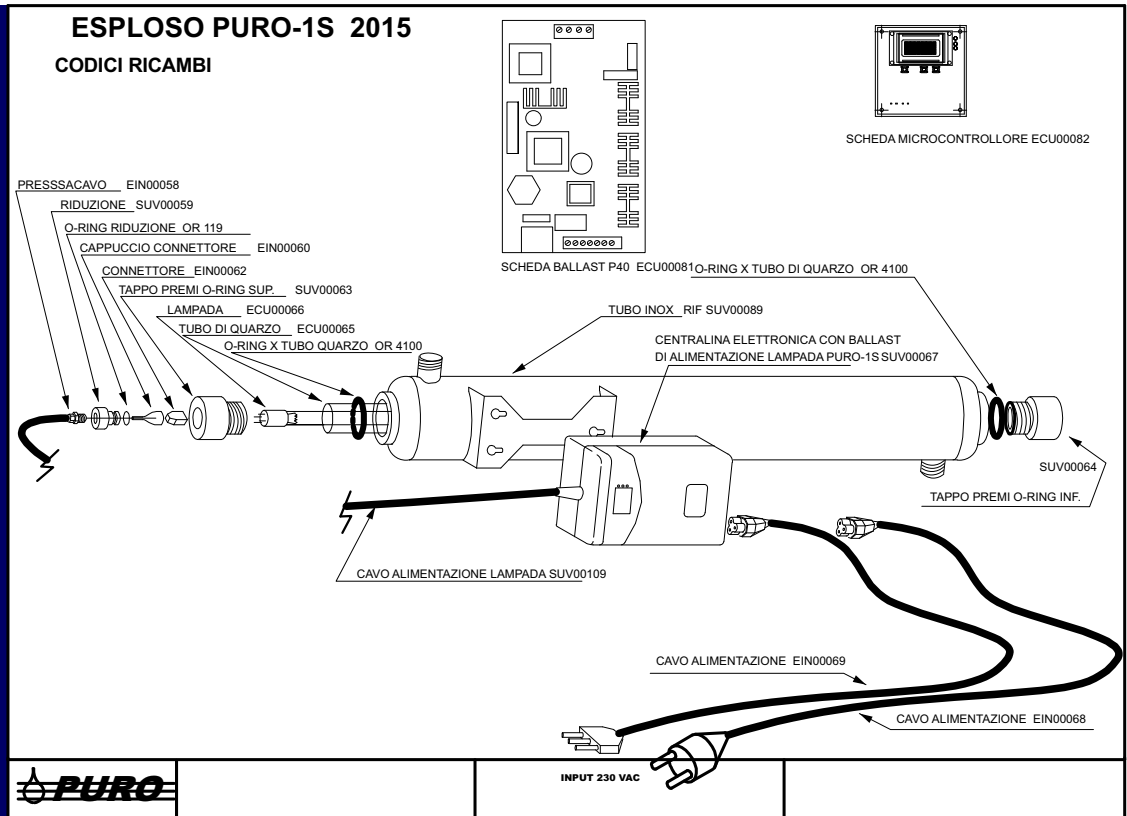


Stainless Steel ULTRAVIOLETS

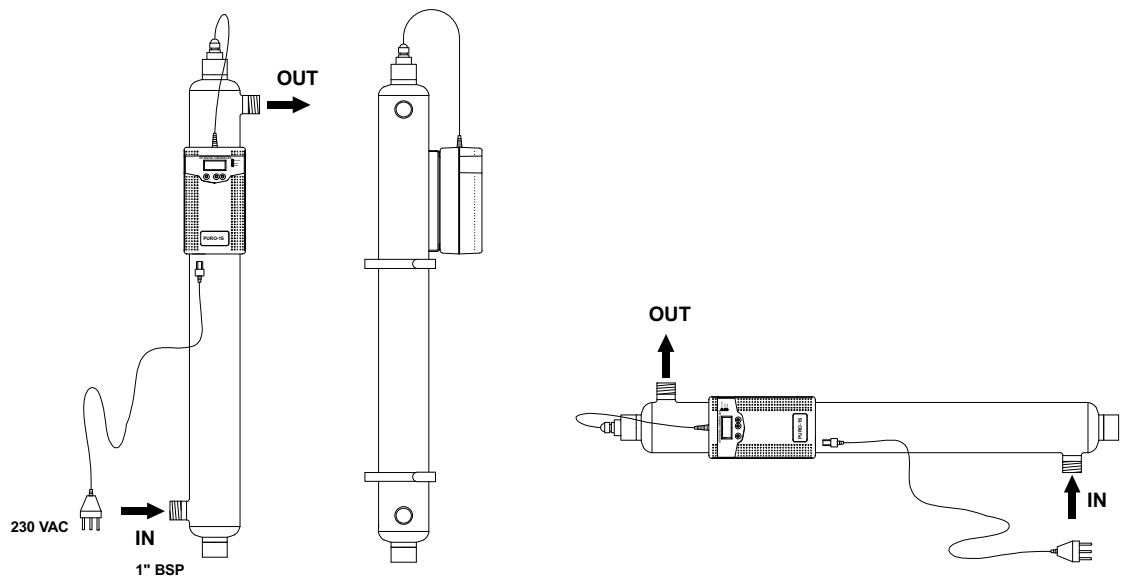
PURO-1S



Stainless Steel ULTRAVIOLETS

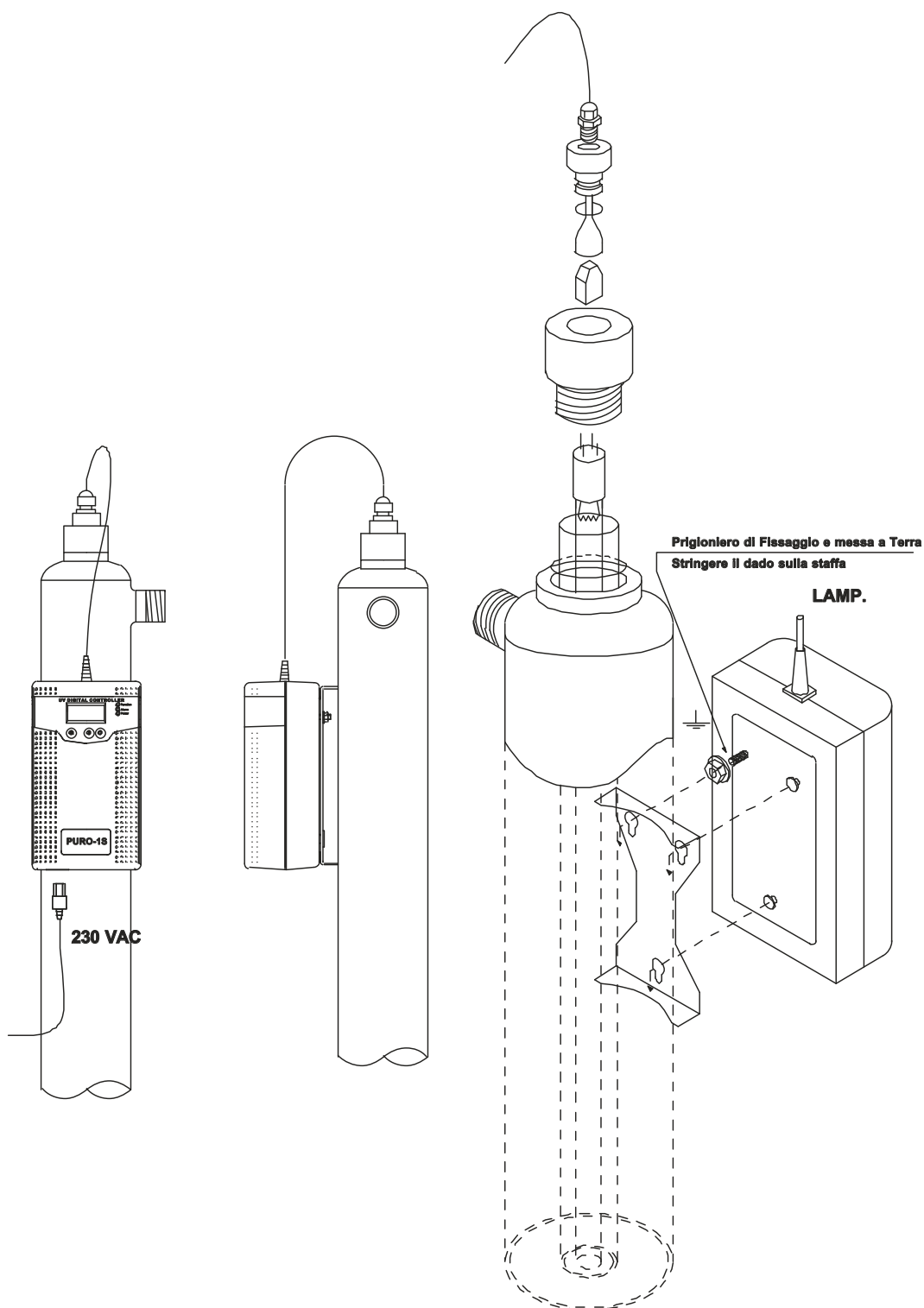


PURO-1S



Stainless Steel ULTRAVIOLETS

MONTAGGIO CENTRALINA PURO-1S" PURO-2S"



Stainless Steel ULTRAVIOLETS

Ultraviolet system mod. **Puro-2S**

Flow rate= 5000 Lth

Electrical Input: 230VAC

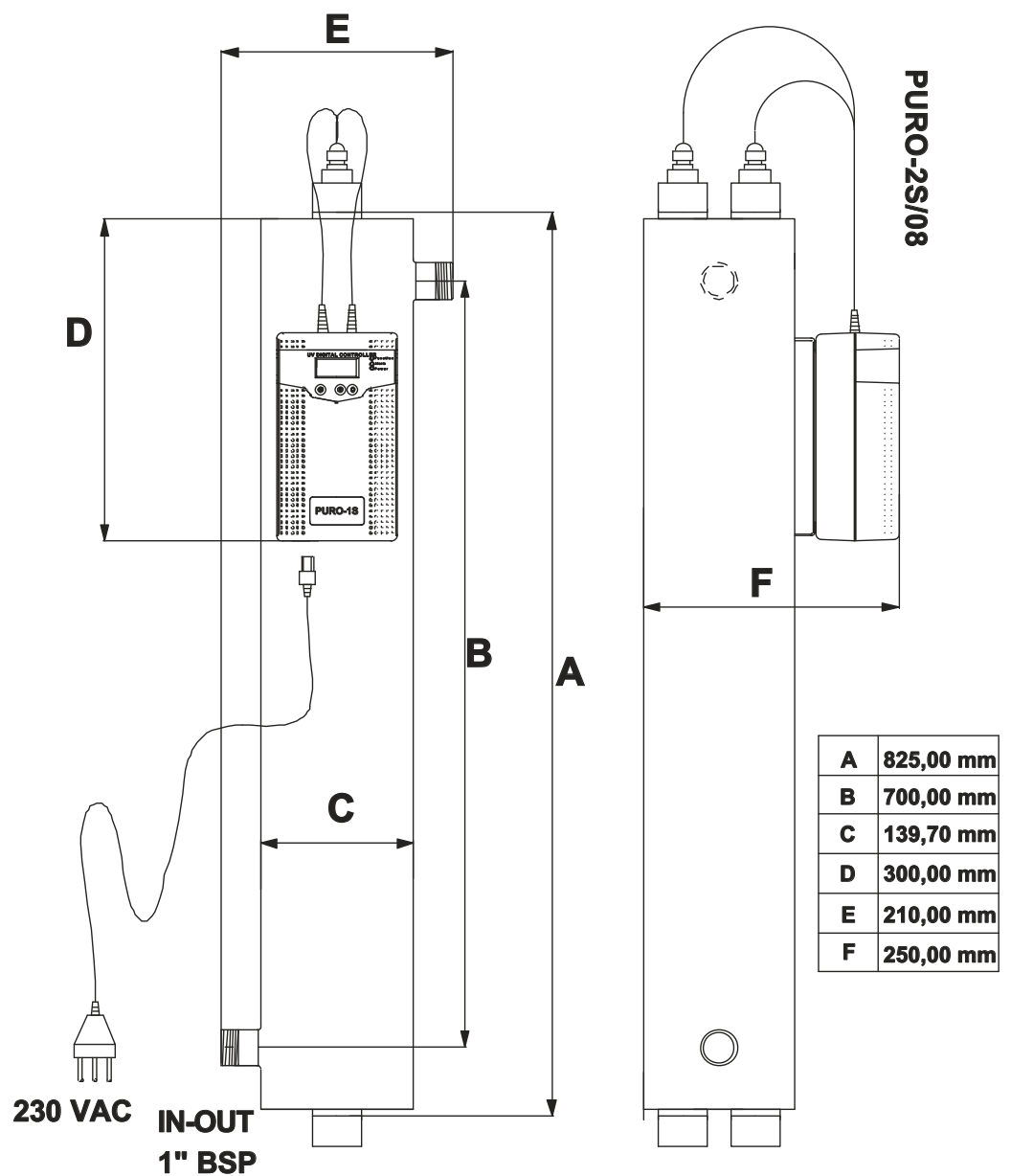
IN/OUT: 1" BSP M

Lamp power: 2X39W

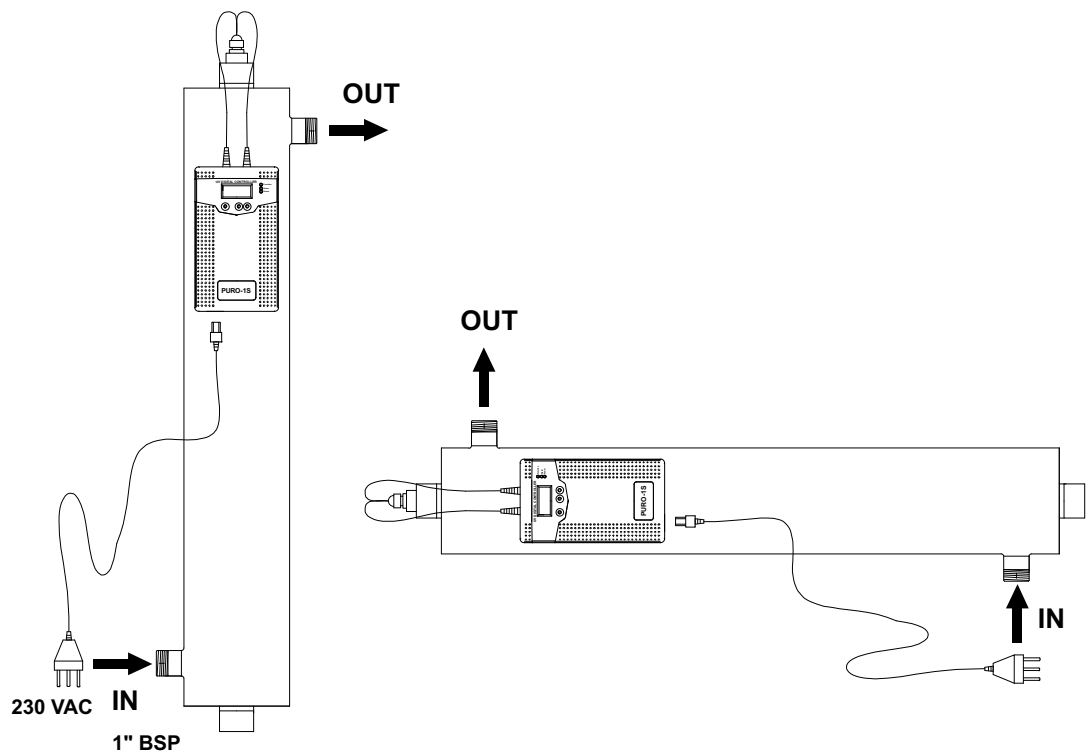
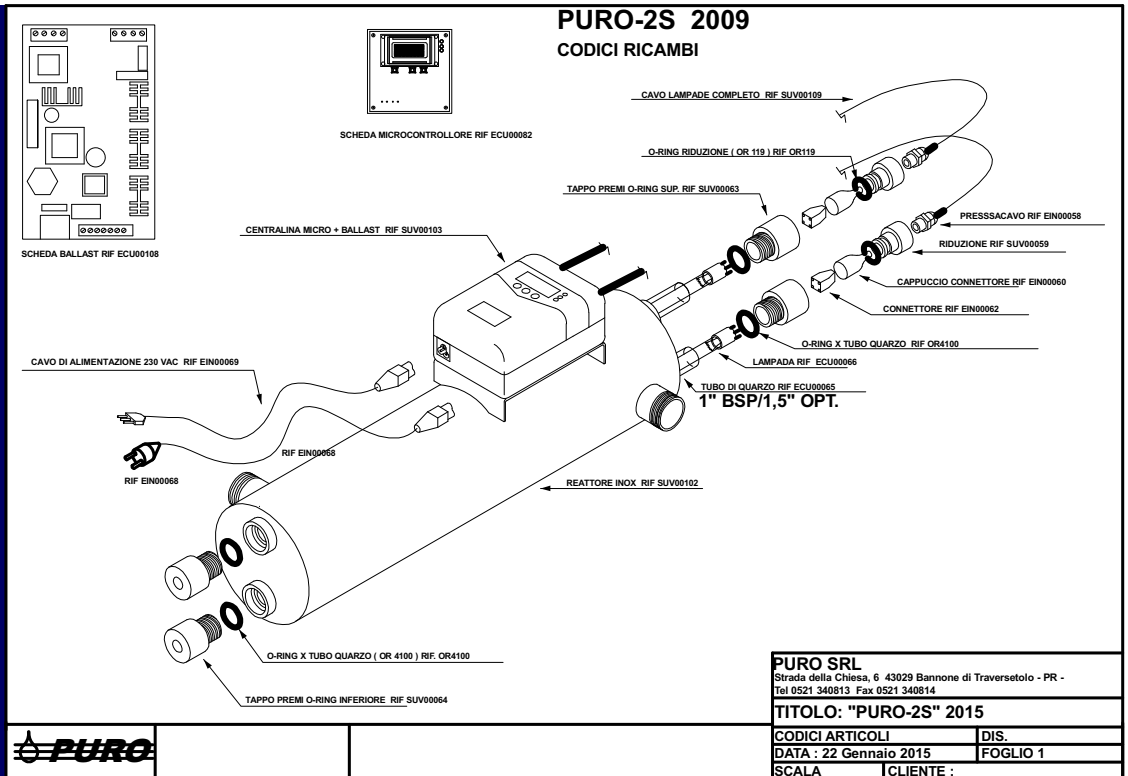


Stainless Steel ULTRAVIOLETS

PURO-2S CAMERA SINGOLA



Stainless Steel ULTRAVIOLETS



Stainless Steel ULTRAVIOLETS

Ultraviolet system mod. **Puro-4S**

Flow rate= 10.000 Lt/h

INPUT: 230VAC

IN/OUT: 1,5" BSP F

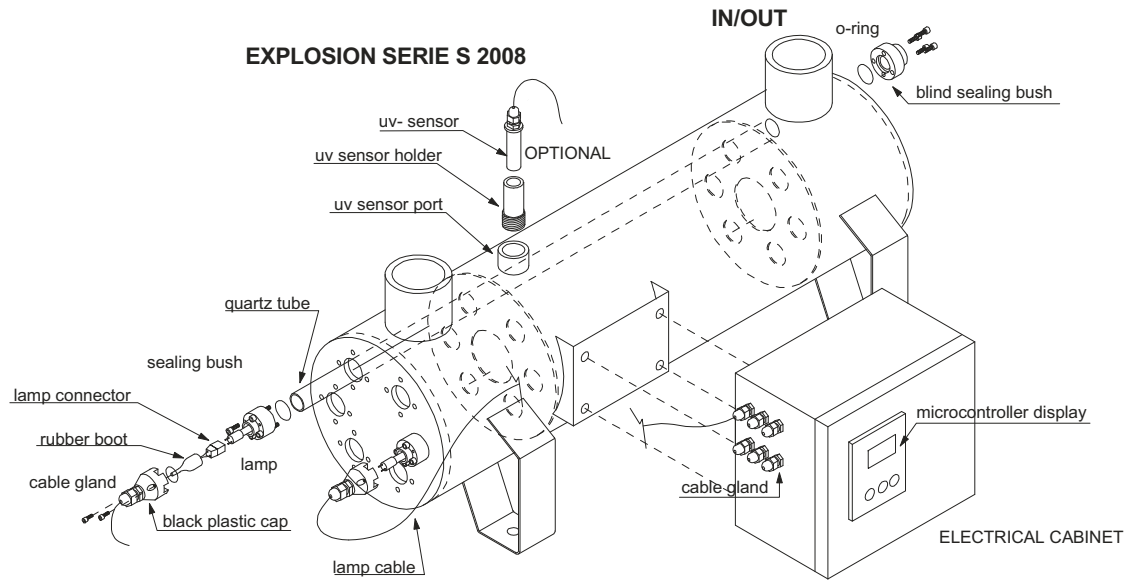
Lamp power: 40W

Nr of Lamps: 4X40W

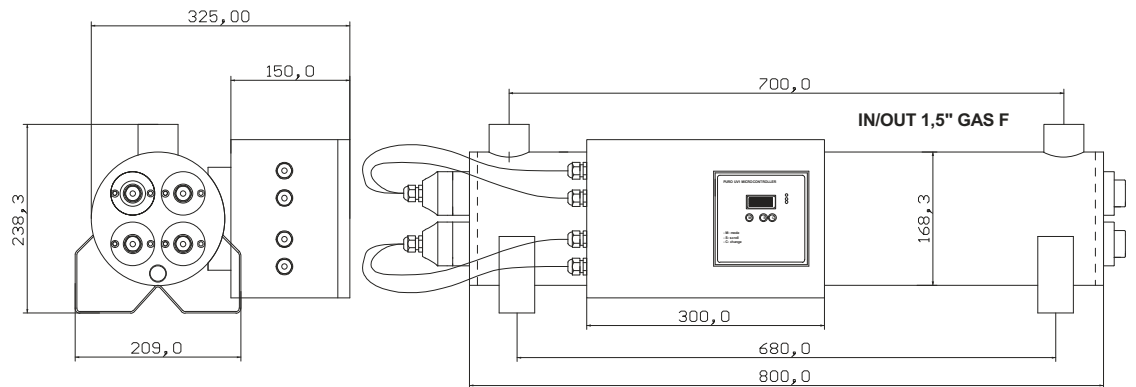
PURO-4S-2008



Stainless Steel ULTRAVIOLETS



PURO-4S



Stainless Steel ULTRAVIOLETS

Ultraviolet system mod. **Puro-6S**

Flow rate= 15.000 Lt/h

INPUT: 230VAC

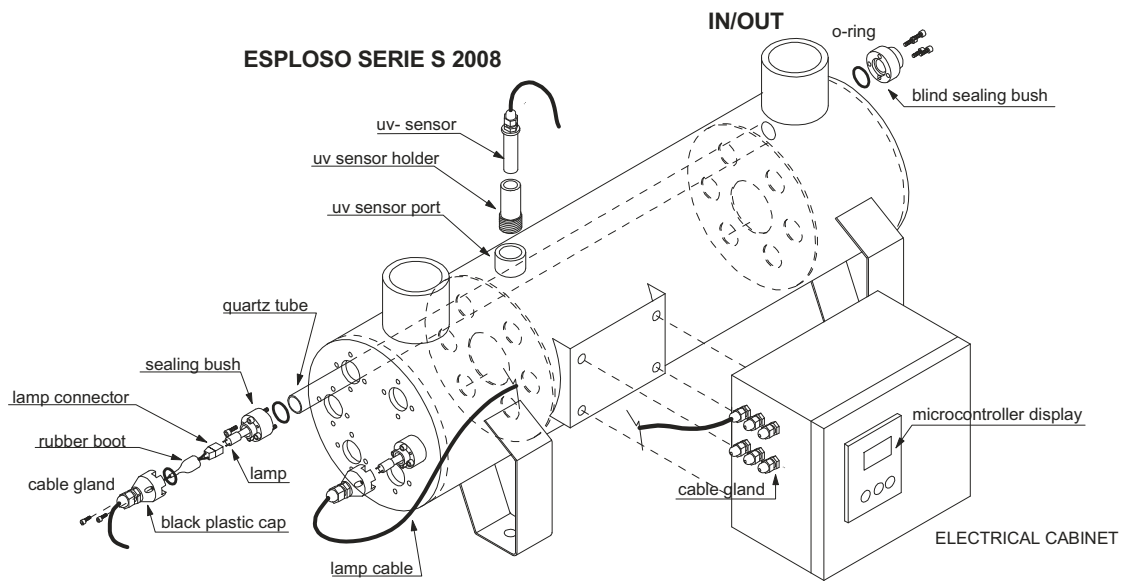
IN/OUT: 2" BSP F

Lamp power: 40W

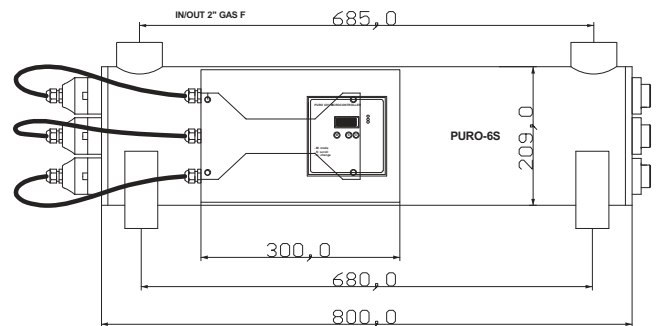
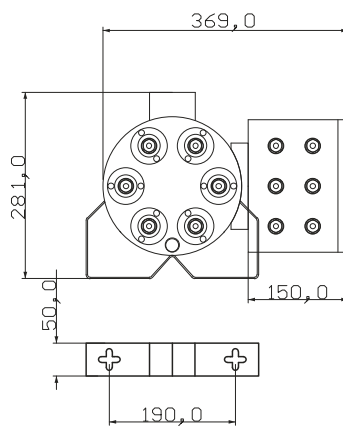
Nr of Lamps: 6X40W



Stainless Steel ULTRAVIOLETS

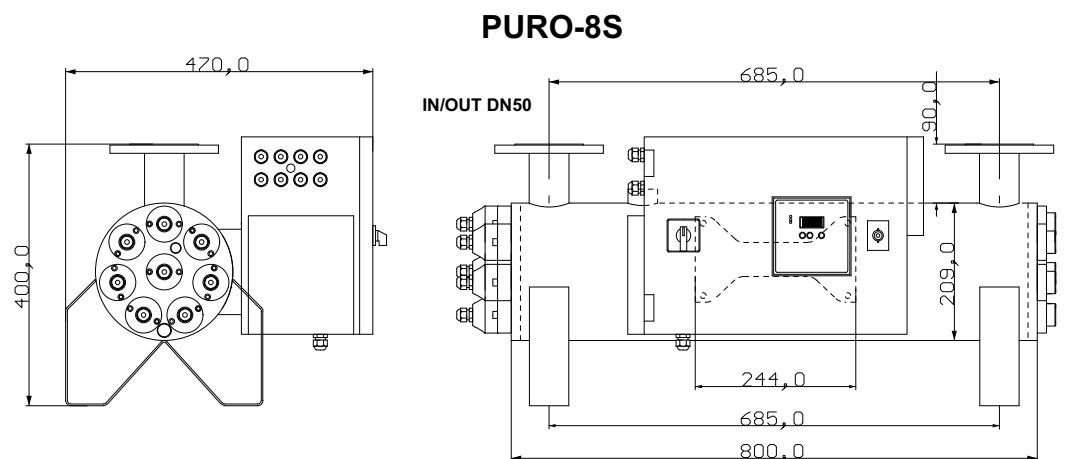
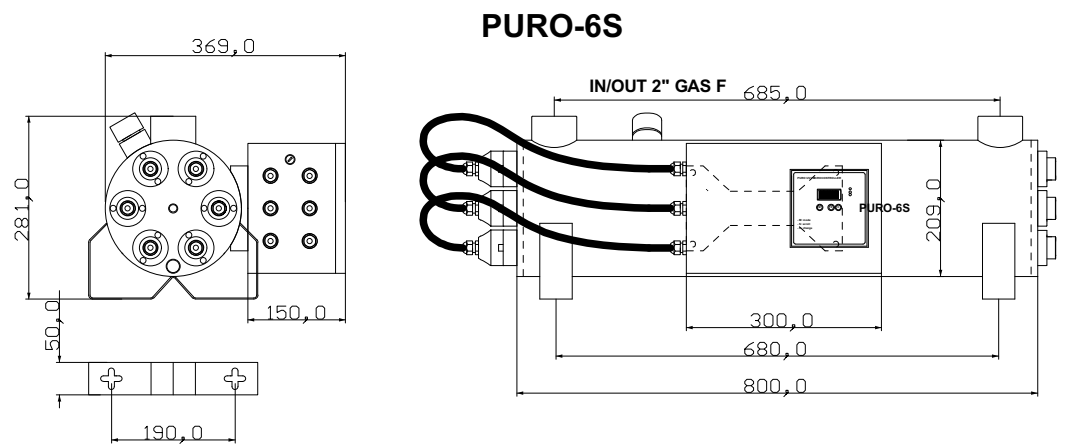
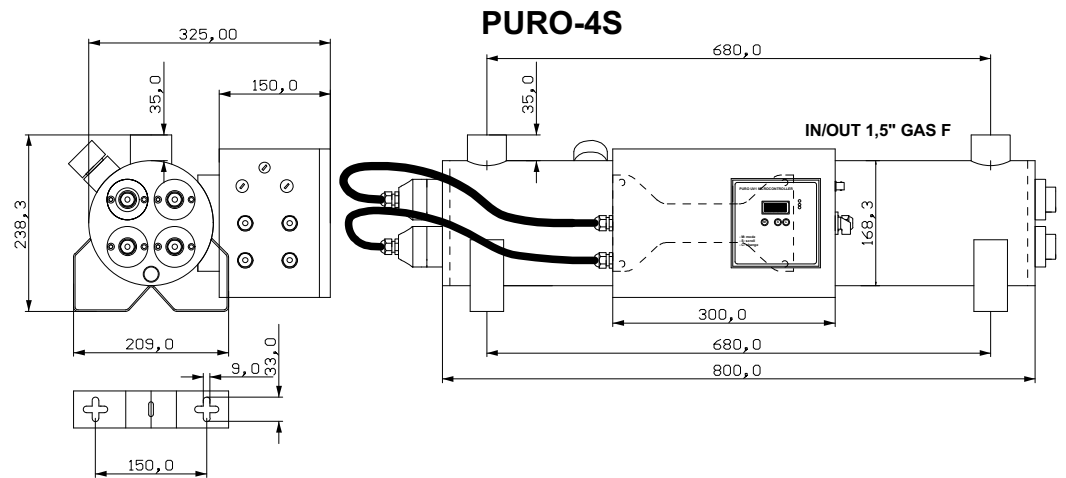


PURO-6S



Stainless Steel ULTRAVIOLETS

DIMENSIONI Modelli PURO- 4S-6S-8S



Stainless Steel ULTRAVIOLETS

Ultraviolet system mod. **PURO-6L/8L**

Flow rate= 50.000 Lt/h

INPUT: 230VAC

IN/OUT: DN80 Flanged

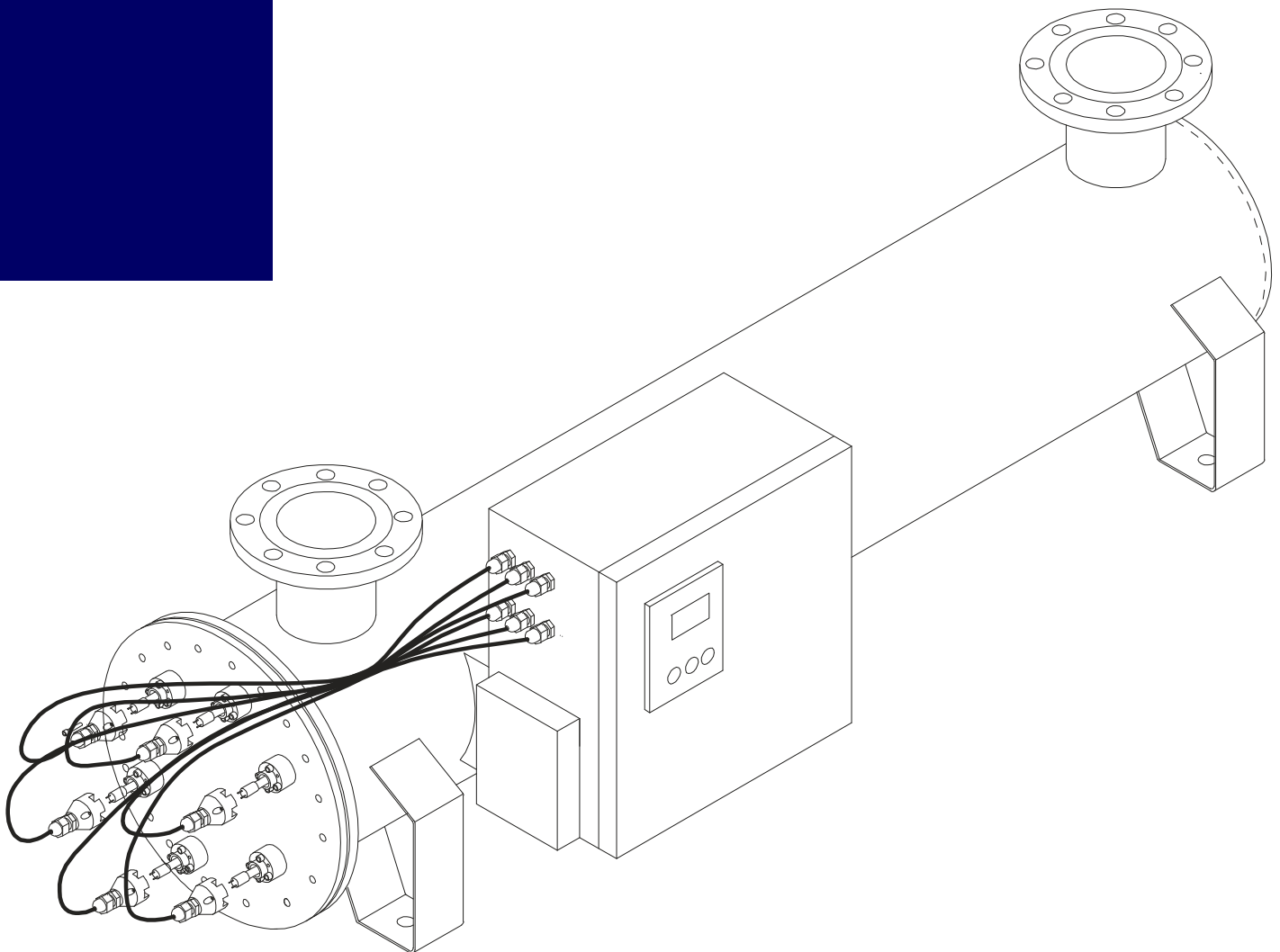
Lamp power: 75W

Nr of Lamps: 6X75W



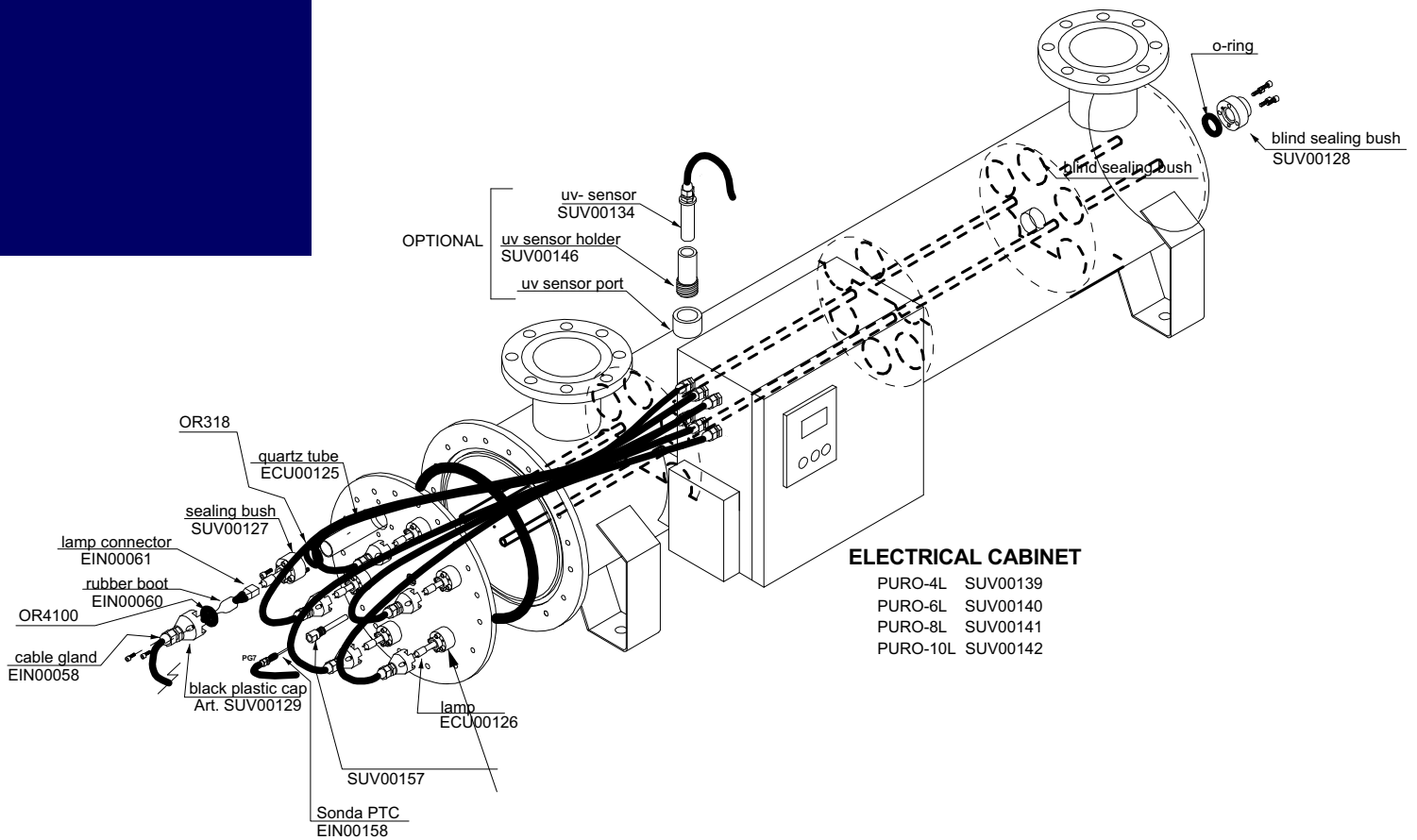
Stainless Steel ULTRAVIOLETS

PURO-6L 2008 Assonometria



Stainless Steel ULTRAVIOLETS

PURO-SERIE L ESPLOSO



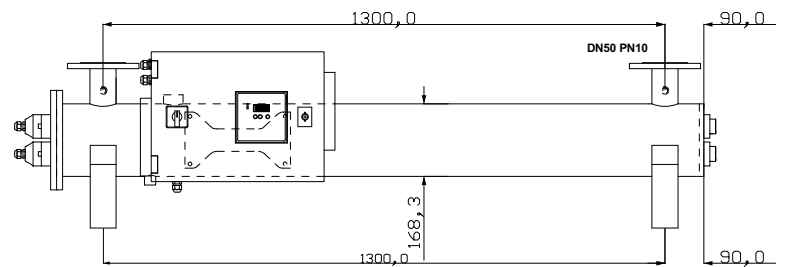
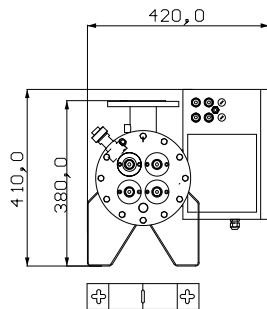
Stainless Steel ULTRAVIOLETS

PURO-10L

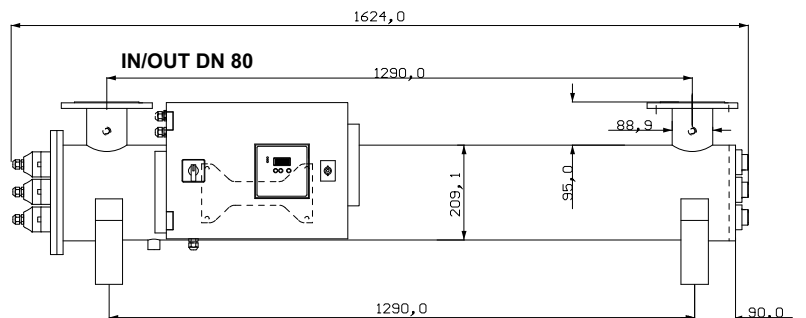
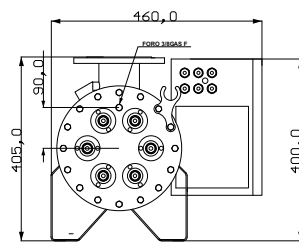


Stainless Steel ULTRAVIOLETS

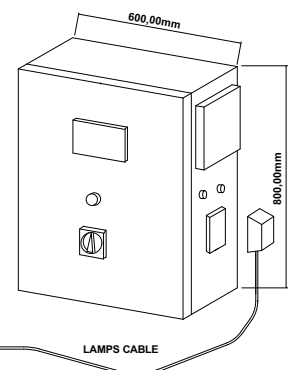
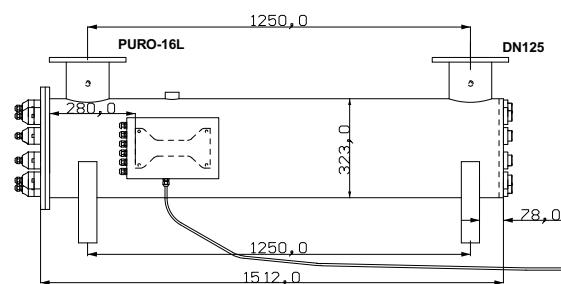
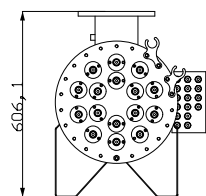
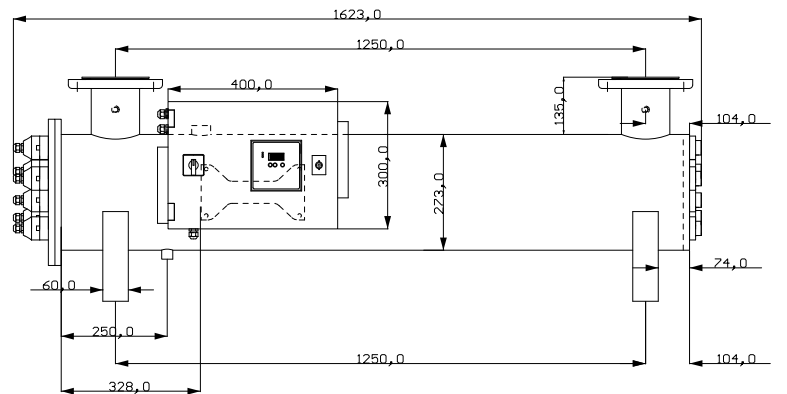
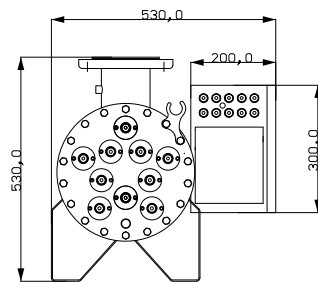
PURO-4L



PURO 6L/8L

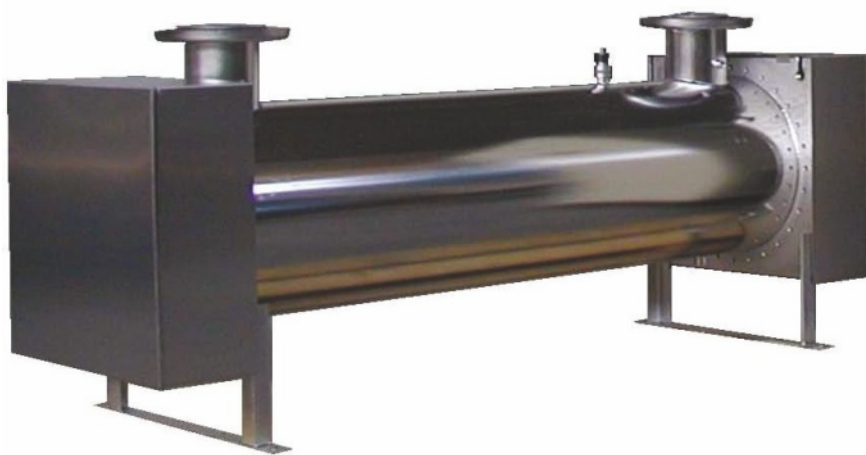


PURO-10L/12L



Stainless Steel ULTRAVIOLETS

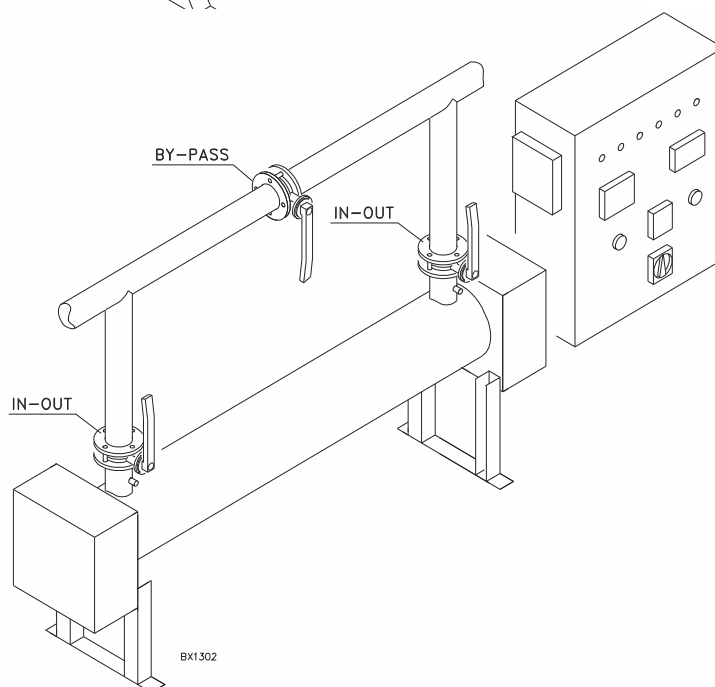
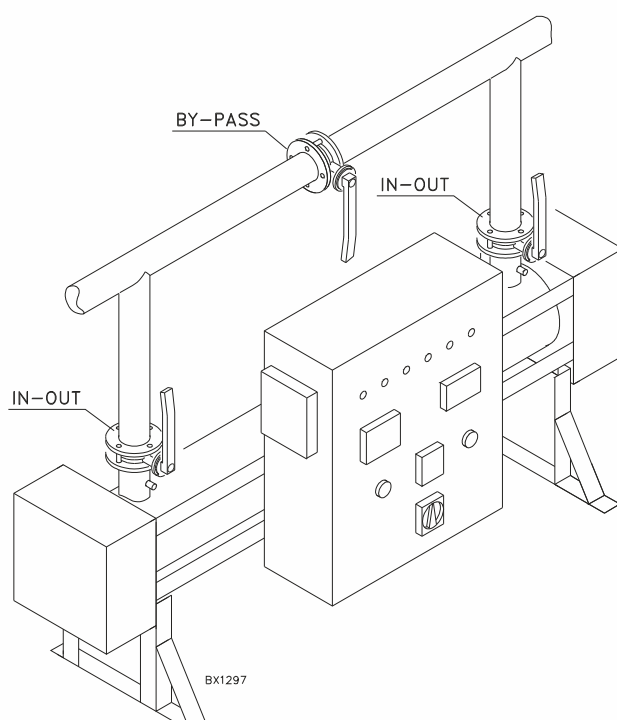
INDUSTRIAL SYSTEM
mod. **“PURO-16LHO200”**



Stainless Steel ULTRAVIOLETS

COLLEGAMENTO IDRAULICO CON BY-PASS

Modelli: 4S. 6S. 8S



Stainless Steel ULTRAVIOLETS

**PURO's UV-C DISINFECTION SYSTEMS
FLOW RATE PERFORMANCES AT T10>90%/98%**

TYPE	LAMPS W	T10>90% PORTATA Q=LT/H FLOW-RATE Q=LT/H	T10>98% PORTATA Q=LT/H FLOW-RATE Q=LT/H
PURO-TAP	1x12W	300 Lt/h	390 Lt/h
PURO-1S	1x40W	2.500 Lt/h	3.250 Lt/h
PURO-2S	2x40W	5.000 Lt/h	6.550 Lt/h
PURO-4S	4x40W	10.000 Lt/h	12.300 Lt/h
PURO-6S	6x40W	15.000 Lt/h	19.650 Lt/h
PURO-8S	8x40W	20.000 Lt/h	26.000 Lt/h
PURO-4L	4x75W	20.000 Lt/h	26.000 Lt/h
PURO-6L	6x75W	30.000 Lt/h	39.000 Lt/h
PURO-8L	8x75W	40.000 Lt/h	50.000 Lt/h
PURO-10L	10x75W	50.000 Lt/h	65.000 Lt/h
PURO-12L	12x75W	60.000 Lt/h	78.000 Lt/h
PURO-16L	16x75W	80.000 Lt/h	104.000 Lt/h
PURO-20L	20x75W	100.000 Lt/h	131.000 Lt/h
PURO-24L	24x75W	120.000 Lt/h	157.000 Lt/h
PURO-32L	32x75W	160.000 Lt/h	210.000 Lt/h

OPTIONALS ONLY FROM "PURO-4S"

UV-METER	
THERMOSTAT	
RS 485 SERIAL PORT	FROM PURO-16L
TURBULATOR	INCLUDED
AUTOMATIC OR MANUAL QUARTZ WIPING SYSTEMS	QUOTED ON REQUEST
SPAR PARTS	QUOTED ON REQUEST

Stainless Steel ULTRAVIOLETS

**PURO's UV-C DISINFECTION SYSTEMS LHO200 Serie
POWER/FLOW RATE**

TYPE	LAMPS POWER	PORTATA Q=LT/H T10>90%	PORTATA Q=LT/H T10>98%
PURO-4SHO120	4x110W	25.000 Lt/h	35.000 Lt/h
PURO-6SHO120	6x110W	38.000 Lt/h	51.000 Lt/h
PURO-8SHO120	8x110W	51.000 Lt/h	68.000 Lt/h
PURO-4LHO200	4x200W	51.000 Lt/h	68.000 Lt/h
PURO-6LHO200	6x200W	77.000 Lt/h	100.000 Lt/h
PURO-8LHO200	8x200W	105.000 Lt/h	140.000 Lt/h
PURO-10LHO200	10x200W	130.000 Lt/h	175.000 Lt/h
PURO-12LHO200	12x200W	156.000 Lt/h	210.000 Lt/h
PURO-16LHO200	16x200W	210.000 Lt/h	285.000 Lt/h
PURO-20LHO200	20x200W	260.000 Lt/h	350.000 Lt/h

**PURO's UV-C DISINFECTION SYSTEMS LHO400 Serie
POWER/FLOW RATE**

TYPE	LAMPS POWER	PORTATA Q=LT/H T10>90%	PORTATA Q=LT/H T10>98%
PURO-4LHO400	4x400W	90.000 Lt/h	120.000 Lt/h
PURO-6LHO400	6x400W	120.000 Lt/h	160.000 Lt/h
PURO-8LHO400	8x400W	192.000 Lt/h	250.000 Lt/h
PURO-10LHO400	10x400W	250.000 Lt/h	330.000 Lt/h
PURO-12LHO400	12x400W	300.000 Lt/h	400.000 Lt/h
PURO-14LHO400	14x400W	360.000 Lt/h	470.000 Lt/h
PURO-16LHO400	16x400W	420.000 Lt/h	550.000 Lt/h

OPTIONALS

UV-METER	INCLUDED
THERMOSTAT	INCLUDED
RS 485 SERIAL PORT	From PURO-8LHO200 & from PURO-4LHO400
TURBULATOR	INCLUDED
AUTOMATIC OR MANUAL QUARTZ WIPING SYSTEMS	QUOTED ON REQUEST
SPAR PARTS	QUOTED ON REQUEST

Stainless Steel ULTRAVIOLETS

PURO 1000 MC/H ULTRAVIOLET SYSTEM IN A DOLPHIN SWIMMING POOL



PURO 30L

Stainless Steel ULTRAVIOLETS

**PURO CARTRIDGES FILTERS AND
ULTRAVIOLET SYSTEM IN A 180 mc/h
“RO” PRETREATMENT SKID UNIT PLANT**



